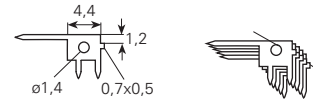
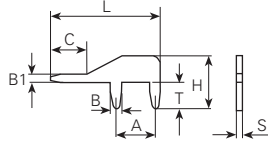
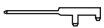
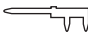
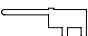

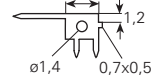
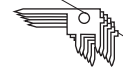







Winkelstifte Chevilles angulaires p.CI Angle pins for P.C.B.

Werkstoff/Matière/Material
 .2 = Bronze/bronze
 .6 = Messing/laiton/brass
 .7 = Neusilber/mailechort/german silver
 .9 = Stahl/acier/steel

■ = Oberflächen/Surface/Surface-plating
 Seite/page/page 5.011



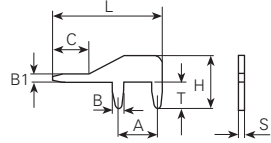
Artikelnummer Numéro d'article Part-No.						
1080z.2 ■	1081a.6 ■	1081m.6 ■	1080u.6 ■	10811.6 ■	010811.6 ■	
Bohrung/Trou/Hole	∅ 0.8	∅ 0.8	∅ 0.8	∅ 0.8	∅ 0.8	∅ 0.8
T	0.9/1.7	1.8	2	2.1	2.4	2.4
H	2.45	3.2	4.4	3.5	5.8	5.8
L	12.7	11.2	11.2	9.5	11.85	11.85
C	7.3	6.2	6.2	2.8	6.95	6.95
A	3	2.5	2.5	2.5	2.5	2.5
B1	0.6	0.7	0.7	0.6	0.7	0.7
B	0.55	0.7	0.7	0.8	0.7	0.7
S	0.65	0.6	0.6	0.5	0.6	0.6
Werkzeuge Outils Toolings		34	34	34	34	1051b







Artikelnummer Numéro d'article Part-No.					
1080q.6 ■	1080h.6 ■	1081p.6 ■	1081b.6 ■	01081b.6 ■	
Bohrung/Trou/Hole	∅ 0.8	∅ 0.8	∅ 0.9	∅ 1	∅ 1
T	3	3	3.2	2.2	2.2
H	4.4	4.4	5.35	3.71	3.71
L	8.5	11.2	17.6	7	7
C	3.5	6.2	12.7	2.3	2.3
A	2.5	2.5	2.5	2.5	2.5
B1	0.7	0.7	0.8	1	1
B	0.7	0.7	0.77	1	1
S	0.6	0.6	0.8	0.6	0.6
Werkzeuge Outils Toolings	34	34		34	1051d

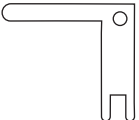
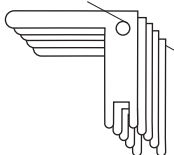
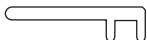
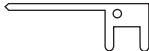
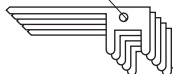
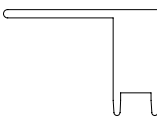
Winkelstifte Chevilles angulaires p.C.I Angle pins for P.C.B.

Werkstoff/Matière/Material
 .2 = Bronze/bronze
 .6 = Messing/laiton/brass
 .7 = Neusilber/mailechort/german silver
 .9 = Stahl/acier/steel

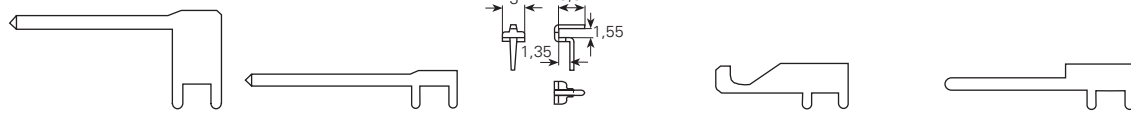
■ = Oberflächen/Surface/Surface-plating
 Seite/page/page 5.011



						
Artikelnummer Numéro d'article Part-No.	1080v.6	01080v.6	1080c.6	1080p.6	1080s.6	1080w.6
Bohrung/Trou/Hole	∅ 1	∅ 1	∅ 1	∅ 1	∅ 1	∅ 1.1
T	2.5	2.5	2.5	2.5	2.5	3
H	5.5	5.5	4.5	4.5	5.5	5
L	7.2	7.2	8	8.8	8.8	18.5
C	2.1	2.1	2.7	3.3	2.3	12.6
A	2.5	2.5	3	3	2.5	5
B1	1	1	1	1	1	1.6
B	1	1	1	1	1	0.9
S	0.5	0.5	0.5	0.5	0.5	0.8
Werkzeuge Outils Toolings	25	1051v	25	25	25	39

						
Artikelnummer Numéro d'article Part-No.	1080g.6	01080g.6	1080y.6	1080t.6	01080t.6	1080k.6
Bohrung/Trou/Hole	∅ 1.1	∅ 1.1	∅ 1.1	∅ 1.1	∅ 1.1	∅ 1.1
T	3	3	3	3	3	3
H	17.5	17.5	4.6	6.3	6.3	14
L	15.5	15.5	18.5	19	19	20.5
C	12.2	12.2	12.6	13	13	14.5
A	2.5	2.5	5	5	5	5
B1	1.6	1.6	1.6	0.8	0.8	1.1
B	0.8	0.8	0.9	1	1	1
S	1	1	0.8	0.8	0.8	0.8
Werkzeuge Outils Toolings	24	1051c	39	39	1051t	39

Winkelstifte Chevilles angulaires p.CI Angle pins for P.C.B.



Artikelnummer Numéro d'article Part-No.	1080e.6	1080r.6	1081.7	1080l.6	1080k.6
Bohrung/Trou/Hole	∅ 1.1	∅ 1.1	∅ 1.1	∅ 1.15	∅ 1.2
T	3	3	3.5	2.5	2.5
H	13	5	6.05	6	6
L	28	28	4	17.5	25
C	21	22.1			16
A	5	5		5	5
B1	1.6	1.6		3.5	1.5
B	0.9	0.9	1.1	1	1
S	0.8	0.8	0.5	0.8	0.8
Werkzeuge Outils Toolings	24	39		39	39

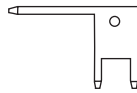
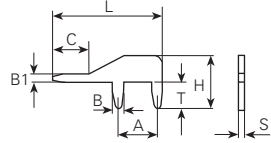
Artikelnummer Numéro d'article Part-No.	1082.6	1080m08.6	01080m08.6	1080m.6	01080m.6	1081f.6
Bohrung/Trou/Hole	∅ 1.2	∅ 1.2	∅ 1.2	∅ 1.3	∅ 1.3	∅ 1.3
T	3	3.5	3.5	3.5	3.5	3.5
H	9	7	7	7	7	5.6
L	8	14.5	14.5	14.5	14.5	14.5
C		4.5	4.5	4.5	4.5	4.5
A	5	5	5	5	5	5
B1		1	1	1	1	1
B	1	1.1	1.1	1.1	1.1	1.1
S	0.8	0.8	0.8	1	1	1
Werkzeuge Outils Toolings		24	1051g	24	1051m	24

Artikelnummer Numéro d'article Part-No.	01081f.6	1080a.6	01080a.6	1080x.6	01080x.6
Bohrung/Trou/Hole	∅ 1.3	∅ 1.3	∅ 1.3	∅ 1.3	∅ 1.3
T	3.5	3.5	3.5	4.2	4.2
H	5.6	6.5	6.5	10.8	10.8
L	14.5	18	18	17	17
C	4.5	8	8	11	11
A	5	5	5	5	5
B1	1	1	1	1	1
B	1.1	1.1	1.1	1	1
S	1	1	1	1	1
Werkzeuge Outils Toolings	1051f	24	1051a	24	1051x

Winkelstifte Chevilles angulaires p.C.I Angle pins for P.C.B.

Werkstoff/Matière/Material
 .2 = Bronze/bronze
 .6 = Messing/laiton/brass
 .7 = Neusilber/mailechort/german silver
 .9 = Stahl/acier/steel

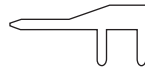
■ = Oberflächen/Surface/Surface-plating
 Seite/page/page 5.011



Artikelnummer
Numéro d'article
Part-No.
Bohrung/Trou/Hole
Werkzeuge
Outils
Toolings

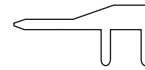
1080x.9
Ø 1.3
T 4.2
H 10.8
L 17
C 11
A 5
B1 1
B 1
S 1

24



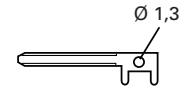
1080b.2
Ø 1.3
T 5
H 8
L 18
C 8.2
A 5
B1 1
B 1.1
S 1

24



1080b.6
Ø 1.3
T 5
H 8
L 18
C 8.2
A 5
B1 1
B 1.1
S 1

24



1081t.6
Ø 1.4
T 2.1
H 5
L 14
C 9.9
A 3
B1 2
B 1.1
S 1.1

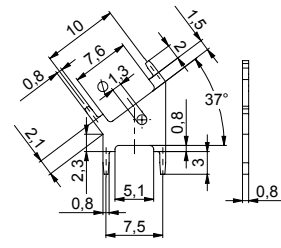
24



Artikelnummer
Numéro d'article
Part-No.
Bohrung/Trou/Hole
Werkzeuge
Outils
Toolings

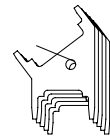
1084.6
Ø 1.4
T 3.2
H 5.7
L 9
C
A
B1 2.5
B 1.45
S 0.6

24



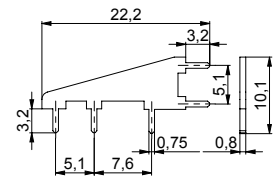
1081s.6
Ø 0.8
T 3
H 3
L 7.5
C
A
B1
B
S 0.8

24



01081s.6
Ø 0.8
T 3
H 3
L 7.5
C
A
B1
B
S 0.8

24



1081d.9
Ø 1
T 3.2
H 3.2
L 22.2
C
A
B1
B
S 0.8

24