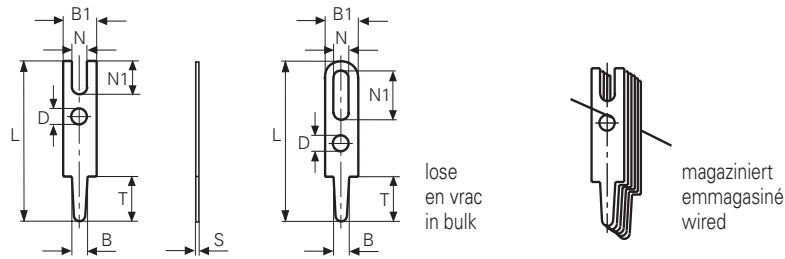


# Lötstifte Picots pour C.I. Soldering lugs for PCB


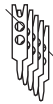
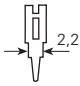



Werkstoff/Matière/Material  
.2 = Bronze/bronze  
.6 = Messing/laiton/brass







■ = Oberflächen/Surface/Surface-plating  
Seite/page/page 5.011







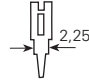

Federschlagwerkzeug / Appareil à percuter / Hand tool No. 1035

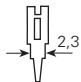


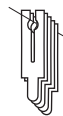


## für Bohrung / pour trou / for hole > 1.3mm







						
Artikelnummer Numéro d'article Part-No.	<b>1003u.2</b>	<b>01003u.2</b>	<b>1013.6</b>	<b>01013.6</b>	<b>1016k.6</b>	<b>01016k.6</b>
Bohrung/Trou/Hole	∅ 1.35	∅ 1.35	∅ 1.35	∅ 1.35	∅ 1.35	∅ 1.35
T	2.9	2.9	3	3	3	3
L	9.9	9.9	10	10	24.5	24.5
B1	2	2	2.8	2.8	3	3
N	1.2	1.2	1.1	1.1	1.3	1.3
N1	1.5	1.5	1	1	2	2
∅D	0.9	0.9	1.2x3.0	1.2x3.0	1.2	1.2
B	1.4	1.4	1.4	1.4	1.4	1.4
S	0.5	0.5	0.6	0.6	0.5	0.5
Werkzeuge Outils Toolings	<b>56</b>	<b>1050w</b>	<b>13</b>	<b>1049b</b>	<b>74</b>	<b>1042l</b>

						
Artikelnummer Numéro d'article Part-No.	<b>1016a.2</b>	<b>01016a.2</b>	<b>1015c.2</b>	<b>01015c.2</b>	<b>1016b.2</b>	<b>01016b.2</b>
Bohrung/Trou/Hole	∅ 1.35	∅ 1.35	∅ 1.35	∅ 1.35	∅ 1.4	∅ 1.4
T	3.9	3.9	4.7	4.7	2.9	2.9
L	8.4	8.4	8.2	8.2	8.5	8.5
B1	2.8	2.8	2.3	2.3	2.8	2.8
N	1	1	1.2	1.2	1.7	1.7
N1	1	1	1.1	1.1	2	2
∅D	1.2x2.2	1.2x2.2	1.2	1.2	1.1	1.1
B	1.4	1.4	1.4	1.4	1.4	1.4
S	0.5	0.5	0.6	0.6	0.6	0.6
Werkzeuge Outils Toolings	<b>14</b>	<b>1042a</b>	<b>15</b>	<b>1040p</b>	<b>5</b>	<b>1042b</b>

## Lötstifte Picots pour C.I. Soldering lugs for PCB

						
Artikelnummer Numéro d'article Part-No.	<b>1016b.6</b>	<b>01016b.6</b>	<b>1016g.2</b>	<b>01016g.2</b>	<b>1013e.6</b>	<b>01013e.6</b>
Bohrung/Trou/Hole	∅ 1.4	∅ 1.4	∅ 1.4	∅ 1.4	∅ 1.4	∅ 1.4
T	2.9	2.9	3	3	3	3
L	8.5	8.5	8.5	8.5	10	10
B1	2.8	2.8	2.5	2.5	2.8	2.8
N	1.7	1.7	1.3	1.3	1.4	1.4
N1	2	2	1.4	1.4	1	1
∅D	1.1	1.1	1.4	1.4	1.2x3.0	1.2x3.0
B	1.4	1.4	1.45	1.45	1.5	1.5
S	0.6	0.6	0.6	0.6	0.6	0.6
Werkzeuge Outils Toolings	<b>5</b>	<b>1042b</b>	<b>16</b>	<b>1042m</b>	<b>13</b>	<b>1049b</b>

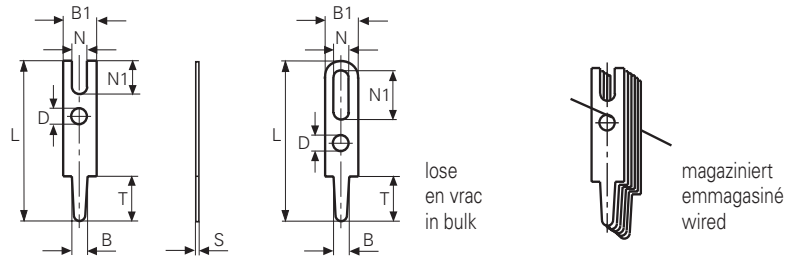
						
Artikelnummer Numéro d'article Part-No.	<b>1013s.6</b>	<b>01013s.6</b>	<b>1004l.6</b>	<b>01004l.6</b>	<b>1016v.6</b>	<b>01016v.6</b>
Bohrung/Trou/Hole	∅ 1.4	∅ 1.4	∅ 1.4	∅ 1.4	∅ 1.4	∅ 1.4
T	3	3	3	3	3.2	3.2
L	10	10	12	12	8.8	8.8
B1	2.8	2.8	3	3	2.8	2.8
N	1.2	1.2	0.5	0.5	1.2	1.2
N1	1	1	7	7	2	2
∅D	1.2x3.0	1.2x3.0	1.4	1.4	1.2	1.2
B	1.5	1.5	1.4	1.4	1.45	1.45
S	0.6	0.6	0.6	0.6	0.6	0.6
Werkzeuge Outils Toolings	<b>13</b>	<b>1049b</b>	<b>53</b>	<b>1040m</b>	<b>62</b>	<b>1042b</b>

						
Artikelnummer Numéro d'article Part-No.	<b>1016r.6</b>	<b>01016r.6</b>	<b>3779l.6</b>	<b>03779l.6</b>	<b>1017s.2</b>	<b>01017s.2</b>
Bohrung/Trou/Hole	∅ 1.4	∅ 1.4	∅ 1.4	∅ 1.4	∅ 1.4	∅ 1.4
T	3.2	3.2	3.2	3.2	3.2	3.2
L	13.8	13.8	13.8	13.8	20.7	20.7
B1	2.8	2.8	2.8	2.8	2.8	2.8
N	1.2/1.6	1.2/1.6	1.2/1.6	1.2/1.6	1.2	1.2
N1	2	2	2	2	1.5	1.5
∅D	1.2	1.2	1.2	1.2	1.1	1.1
B	1.45	1.45	1.45	1.45	1.45	1.45
S	0.6	0.6	0.8	0.8	0.6	0.6
Werkzeuge Outils Toolings	<b>65</b>	<b>1042r</b>	<b>18</b>	<b>1048l</b>	<b>68</b>	<b>1050s</b>

# Lötstifte Picots pour C.I. Soldering lugs for PCB

Werkstoff/Matière/Material  
.2 = Bronze/bronze  
.6 = Messing/laiton/brass

■ = Oberflächen/Surface/Surface-plating  
Seite/page/page 5.011




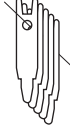



Federschlagwerkzeug / Appareil à percuter / Hand tool No. 1035

Artikelnummer Numéro d'article Part-No.	1016t.6	01016t.6	1004m.6	01004m.6	1015b.2
Bohrung/Trou/Hole	∅ 1.4	∅ 1.4	∅ 1.4	∅ 1.4	∅ 1.4
T	3.2	3.2	3.5	3.5	4
L	22.7	22.7	12.5	12.5	7.5
B1	2.8	2.8	3	3	2.3
N	1	1	0.5	0.5	1.2
N1	2	2	7	7	1.1
∅D	1.2	1.2	1.4	1.4	1.2
B	1.5	1.5	1.4	1.4	1.4
S	0.6	0.6	0.6	0.6	0.6
Werkzeuge Outils Toolings	64	1042t	5	1040m	15

Artikelnummer Numéro d'article Part-No.	01015b.2	1016h.2	01016h.2	1007a08.2	01007a08.2	1017d.2
Bohrung/Trou/Hole	∅ 1.4	∅ 1.4	∅ 1.4	∅ 1.4	∅ 1.4	∅ 1.5
T	4	4	4	4	4	3.2
L	7.5	9.5	9.5	15	15	8.2
B1	2.3	2.5	2.5	4	4	3
N	1.2	1.3	1.3	1.2	1.2	1.5
N1	1.1	1.4	1.4	2	2	2
∅D	1.2	1.4	1.4	1.5x3.0	1.5x3.0	1.5
B	1.4	1.45	1.45	1.35	1.35	1.5
S	0.6	0.6	0.6	0.8	0.8	0.5
Werkzeuge Outils Toolings	1040p	16	1042m	71	1044g	62

## Lötstifte Picots pour C.I. Soldering lugs for PCB

					
<b>Artikelnummer</b> Numéro d'article Part-No.	<b>1019.2</b>	<b>01019.2</b>	<b>1019a.6</b>	<b>01019a.6</b>	<b>1022.6</b>
<b>Bohrung/Trou/Hole</b>	Ø 1.5 T 8 L 11.5 B1 2.3 N 1.2 N1 1.1 øD 1.2 B 1.5 S 0.6	Ø 1.5 T 8 L 11.5 B1 2.3 N 1.2 N1 1.1 øD 1.2 B 1.5 S 0.6	Ø 1.6 T 3.2 L 13.8 B1 2.8 N 1.2/1.6 N1 2 øD 1.2 B 1.65 S 0.6	Ø 1.6 T 3.2 L 13.8 B1 2.8 N 1.2/1.6 N1 2 øD 1.2 B 1.65 S 0.6	Ø 1.7 T 11 L 15 B1 4 N 2 N1 2 øD 1.8 B 1.8 S 0.6
<b>Werkzeuge</b> Outils Toolings	<b>15</b>	<b>1049d</b>	<b>13</b>	<b>1049a</b>	<b>61</b>